

Electro-hydraulic 4-post lift

Installation and operation guide

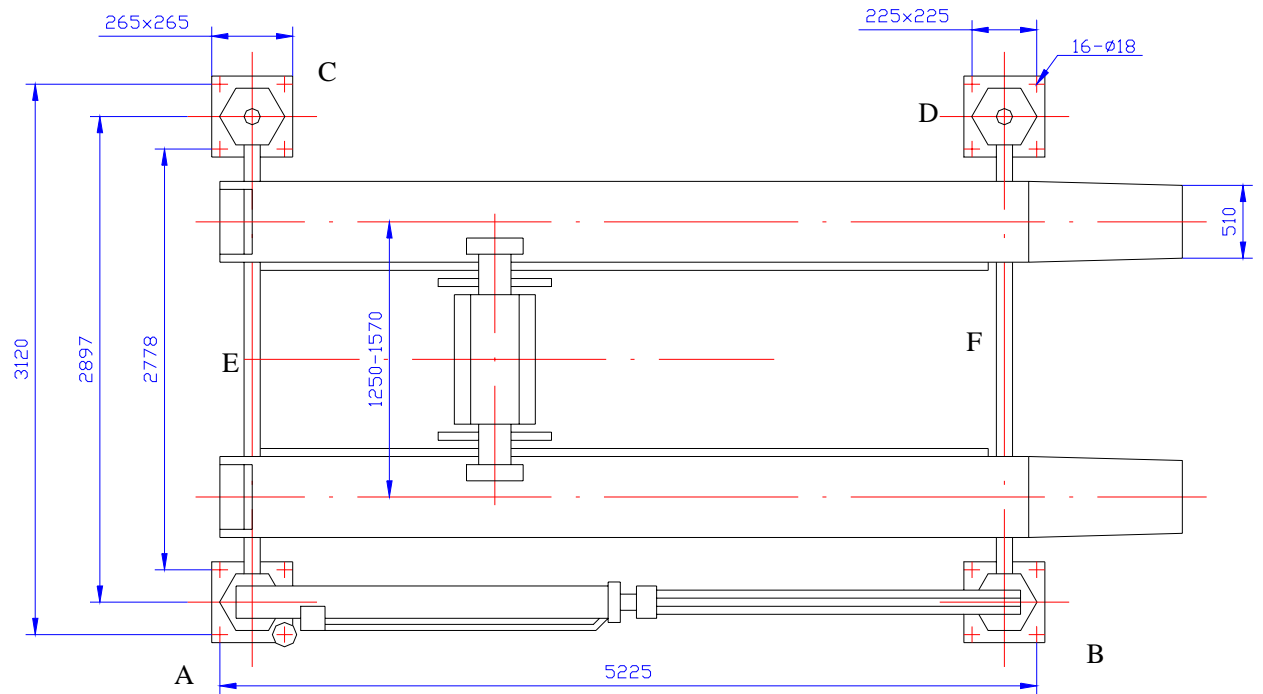
165955#



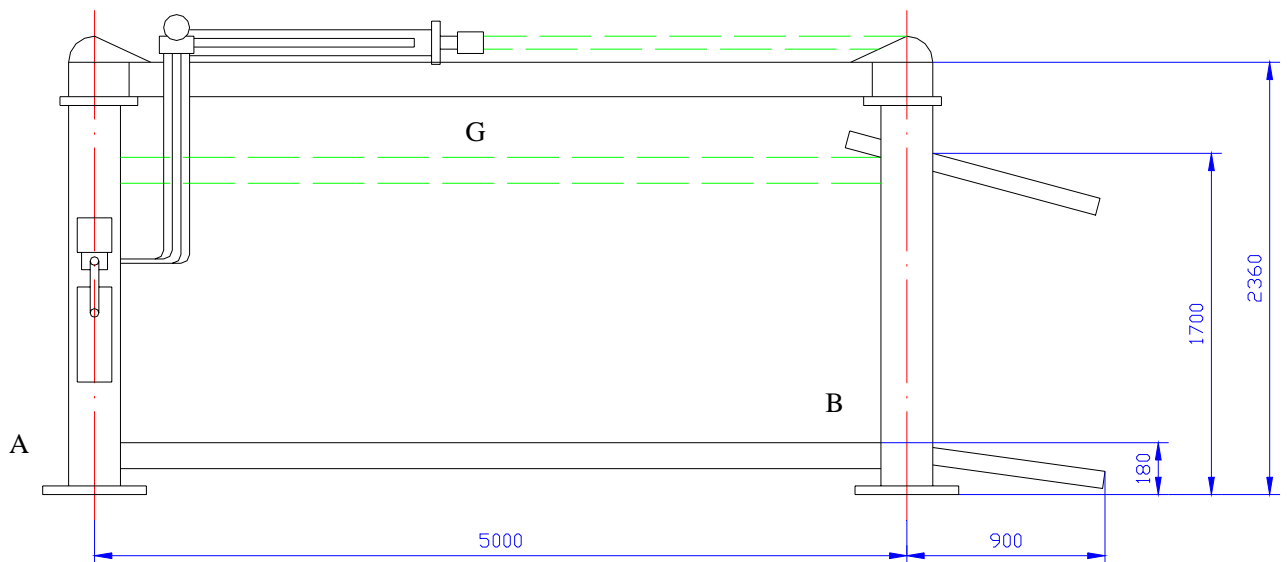
2004-8

Specifications

Capacity: 5.5 Ton
Motor power: 1.5 Kw
Power supply: 380V/50Hz, 3ph



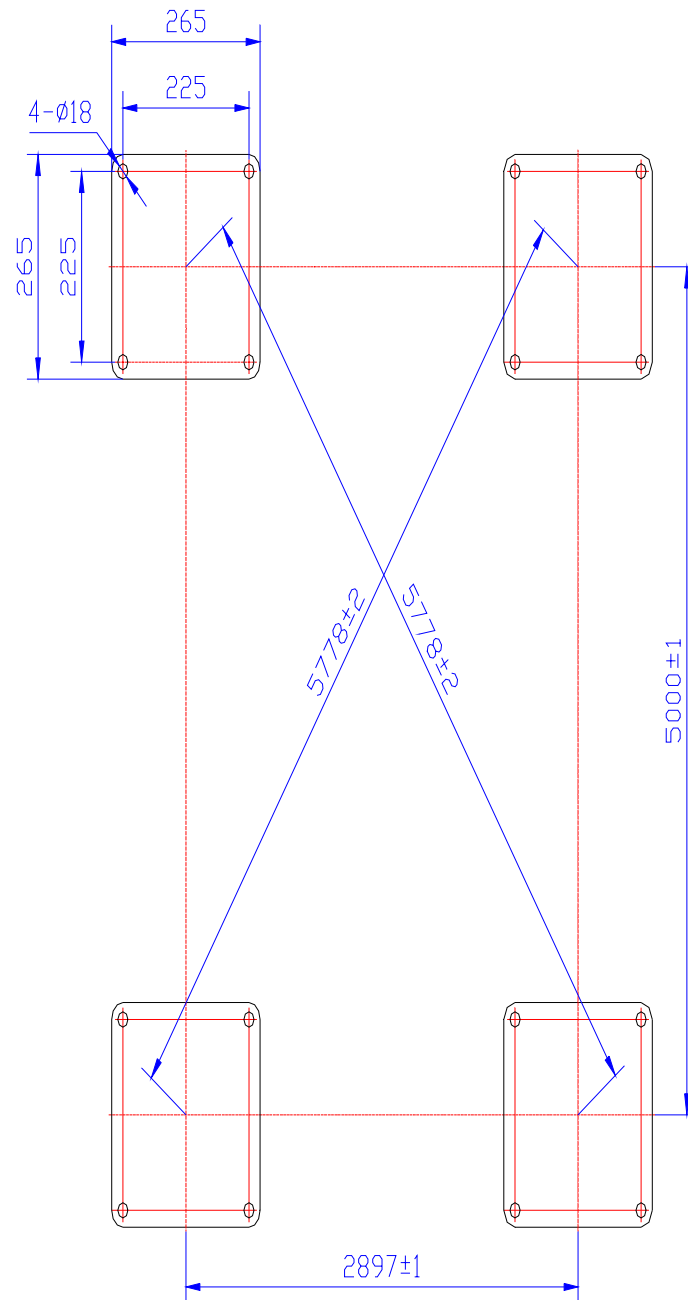
PIC.1



PIC.2

Step1

1. Select a right place for the new lift installation.



PIC.3

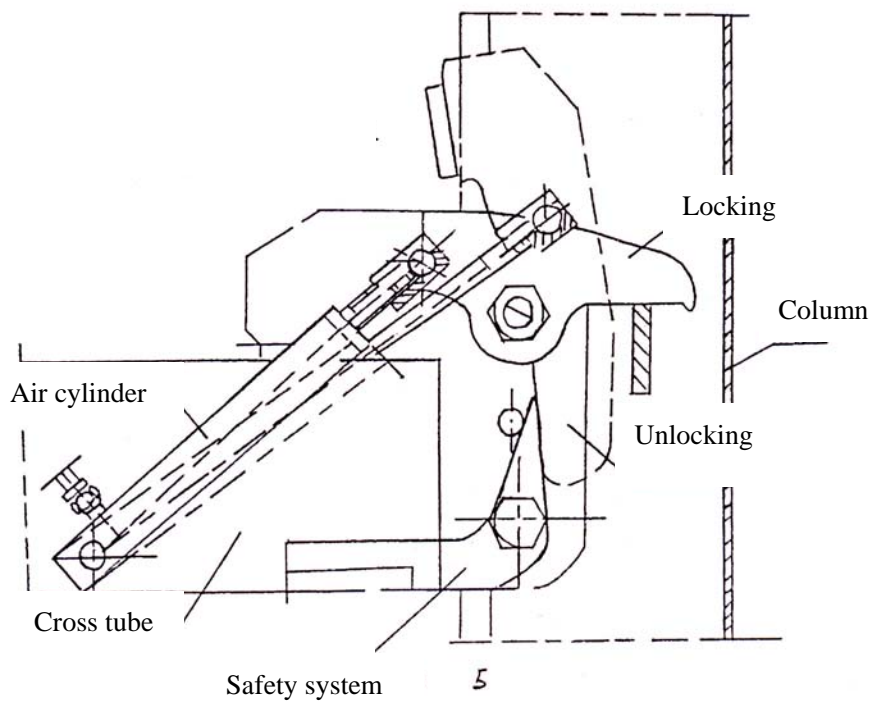
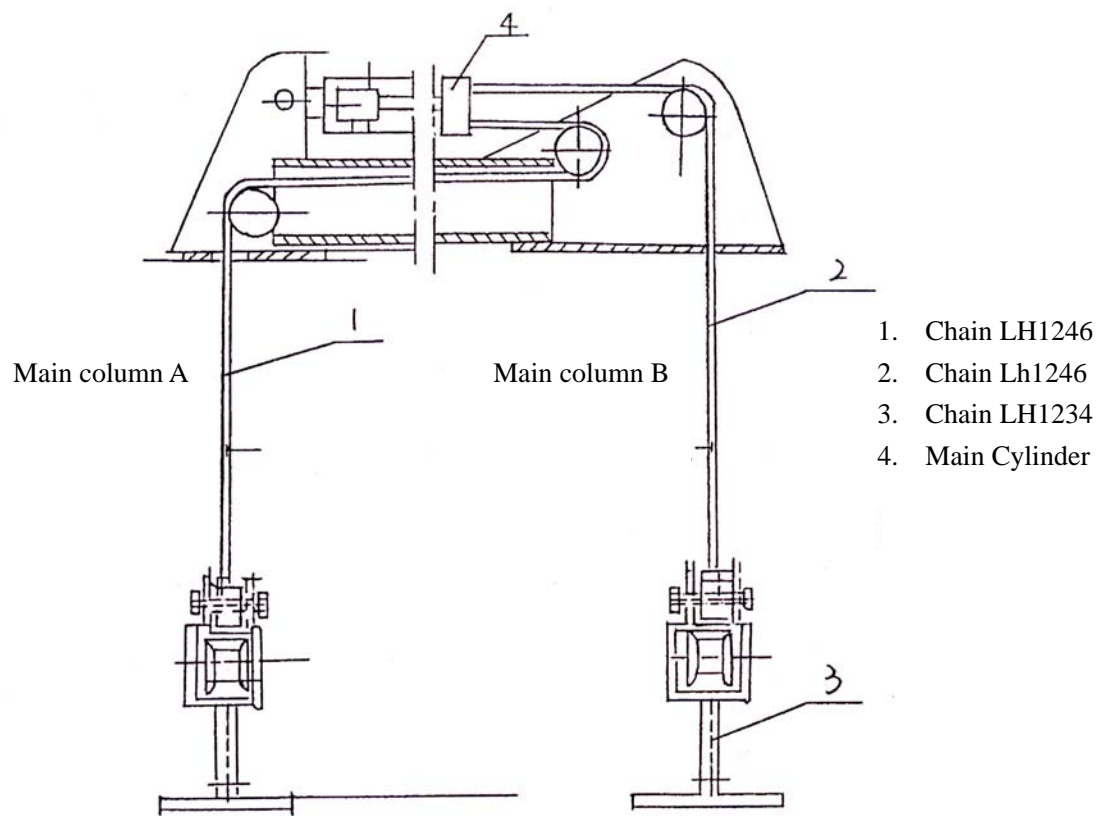
2. This lift must be installed on a solid level concrete floor with no more than 0.15 degree of slope. Or, the four points under the posts should be in level within 10mm.
3. The thickness of the concrete should be at least 8" (200mm). The intensity of the concrete should be 19.6Mpa.
4. Draw a chalk line layout on the chose ground.

Step2

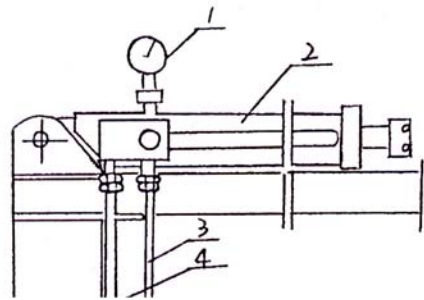
1. Locate the main pump column A and main column B on their positions.
2. Anchor the main pump column A by 4 pieces of M16*120 bolts. If shimming is required, insert the shims as necessary to plumb the column.
3. Locate the other two columns C and D on their positions.
4. Insert the front and rear cross tubes E and F into the columns. Then raise them up to hold on some height by safe locks.
5. Connect the balancing chain LH1234 inside the main column A and column C.
6. Connect another balancing chain LH1234 inside the main column B and column C.
7. Raise up the top cylinder beam G, put it on the main columns A and B. Use M12*50 bolts to fix the beam with the columns.
8. Pull out the piston of the main cylinder for 1750mm. Connect the two chains LH1246 to the cross tubes.
9. Check the positions of the unfixed 3 columns. Adjust the gaps between the tube and column. Then anchor them. Also use the shims as necessary to plumb the columns.
10. Put the runways onto the cross tubes. Fix them by bolts. Be care that the sliding rail on the runways should be in the middle.
11. Put on all the accessories such as front wheel stops and ramps.
12. Adjust all the chains to be strained enough to level the runways.

Step3

1. Put the electro-hydraulic pump onto the main pump column.
2. Connect all the pipes to pump and cylinders.
3. Connect the wires for the pump motor.
4. Connect the air pipe for the safety locks. (Pic.5)
5. Fill up the pump tank with hydraulic oil for 2/3 capacity.
6. Press the start button for first time raise. Check all the bolts, moving parts, etc.
7. Run up and down several times to see if the lift is OK.
8. Adjust the nuts on the chain ends to level the runways again.
9. Adjust the height of the safety bar inside the column to level the runways in locking.

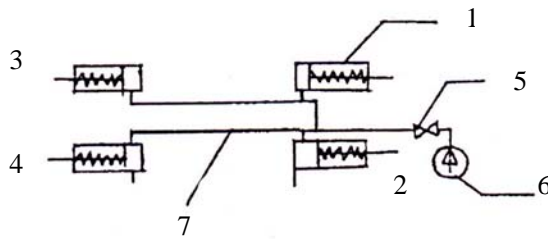


PIC. 4

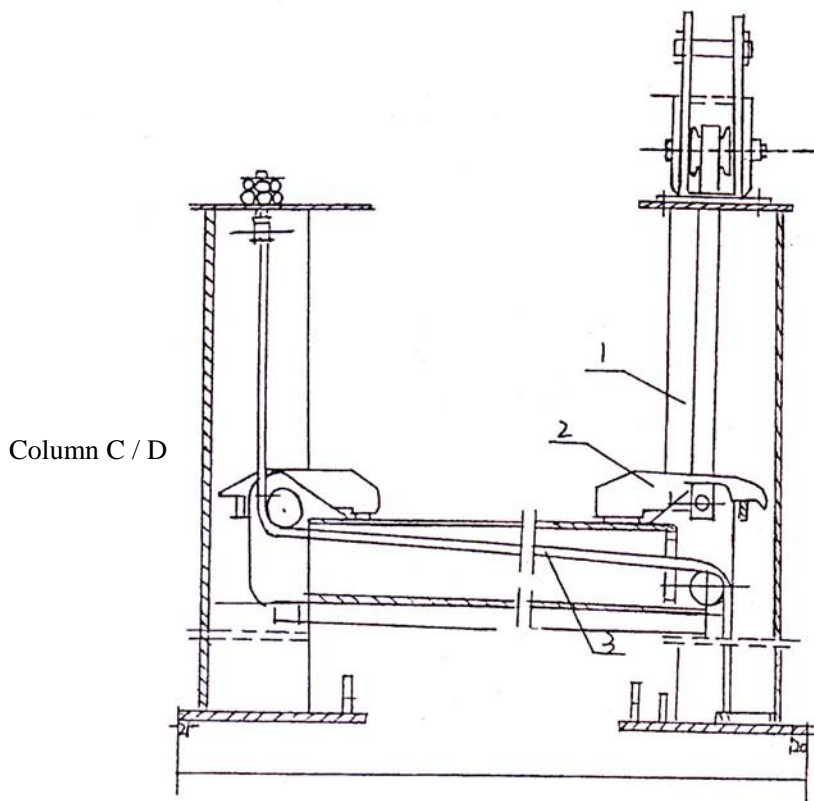


1. pressure gauge
2. Main cylinder
3. Inlet oil pipe
4. Outlet oil pipe

1. Air cylinder on column B
2. Air cylinder on column A
3. Air cylinder on column D
4. Air cylinder on column C
5. Switch
6. Air supply
7. Air pipe



Main column side



1. Chain LH1246
2. Safety lock
3. Balancing chain LH1234

PIC. 5

Operation

1. Position vehicle wheels in the center of each runway.
2. Set parking brake or use wheel chock to hold vehicle in position.
3. Before raising vehicle, be sure all personnel are clear of the lift and surrounding area. Pay careful attention to overhead clearances.
4. Raise the lift to the desired height by pressing the push button on the power unit.
5. After vehicle is raised to the desired height, lower the lift on the nearest safety lock.
6. Check to make sure all four safeties are engaged BEFORE ENTERING work area.
7. To lower the lift, first raise the lift off the safety locks by pressing the start button on the pump for a while.
8. Press the push button of air safety valve to the open position.
9. Push the LOWING HANDLE on the pump until the lift has descended completely.

Weekly maintenance

1. Lubricate all rollers with general purpose oil.
2. Check all chain connections, bolts and pins to insure proper mounting.
3. Lubricate safety lock pivot points with general purpose oil.

Monthly maintenance

1. Check safety locks to insure they are in good operating condition.
2. Check all cables for excessive signs of wear.
3. Make a visual inspection of ALL MOVING PARTS and check for excessive signs of wear
4. Replace ALL FAULTY PARTS before lift is put back

Trouble shooting

| Symptoms | Possible cause | Remedy |
|---|----------------------------------|--|
| 1. Lift will not raise or will not stay up. | 1. Over load. | The load should be with in the capacity. |
| | 2. The pump do not work properly | Check the power supply, oil quantity, valves and filters inside. |
| | 3. The cylinder leaks. | Check all connections of the oil pip. Change the main cylinder. |
| 2. Lift will not lower down. | 1. The Safety lock works. | Check the air supply pressure. Before lower down, raise the lift up to some height in order to open the safety locks. |
| | 2. The release valve clogged | Check and clean the valve. |